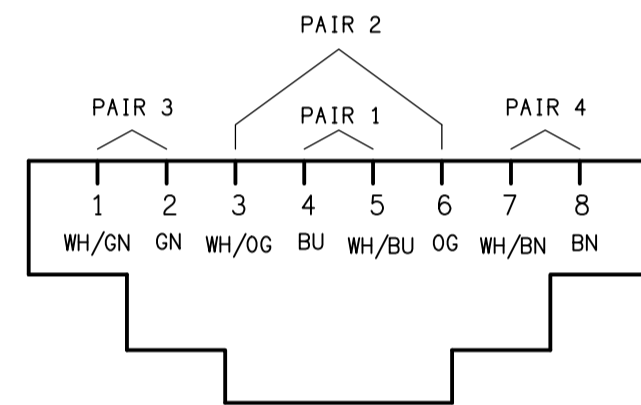


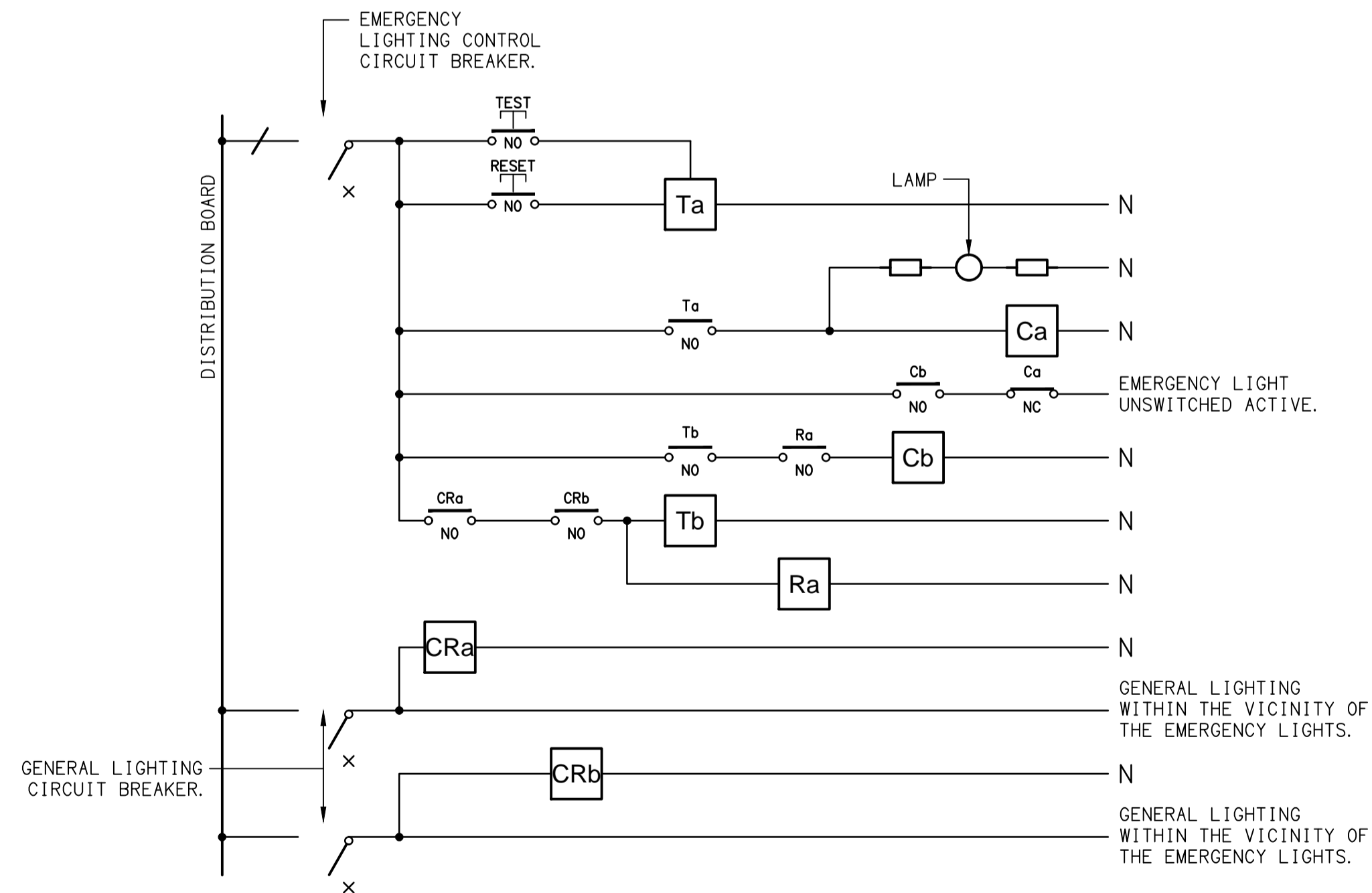
**DETAIL**  
TYPICAL OUTLET MOUNTINGS  
NOT TO SCALE

**EQUIPMENT:**

- TEST - TEST PUSH BUTTON MOUNTED ON THE DISTRIBUTION BOARD ESCUTCHEON.
- RESET - RESET PUSH BUTTON MOUNTED ON THE DISTRIBUTION BOARD ESCUTCHEON.
- LAMP - AMBER TEST INDICATING LAMP MOUNTED ON THE DISTRIBUTION BOARD ESCUTCHEON.
- Ta - ADJUSTABLE 0-3 HOUR TIMED RELAY.
- Tb - 15 MINUTE RUN-ON TIMER TO OPERATE UPON THE RETURN OF MAINS POWER.
- Cx - CONTACTOR x.
- CRx - CONTROL RELAY x.
- Rx - RELAY x.

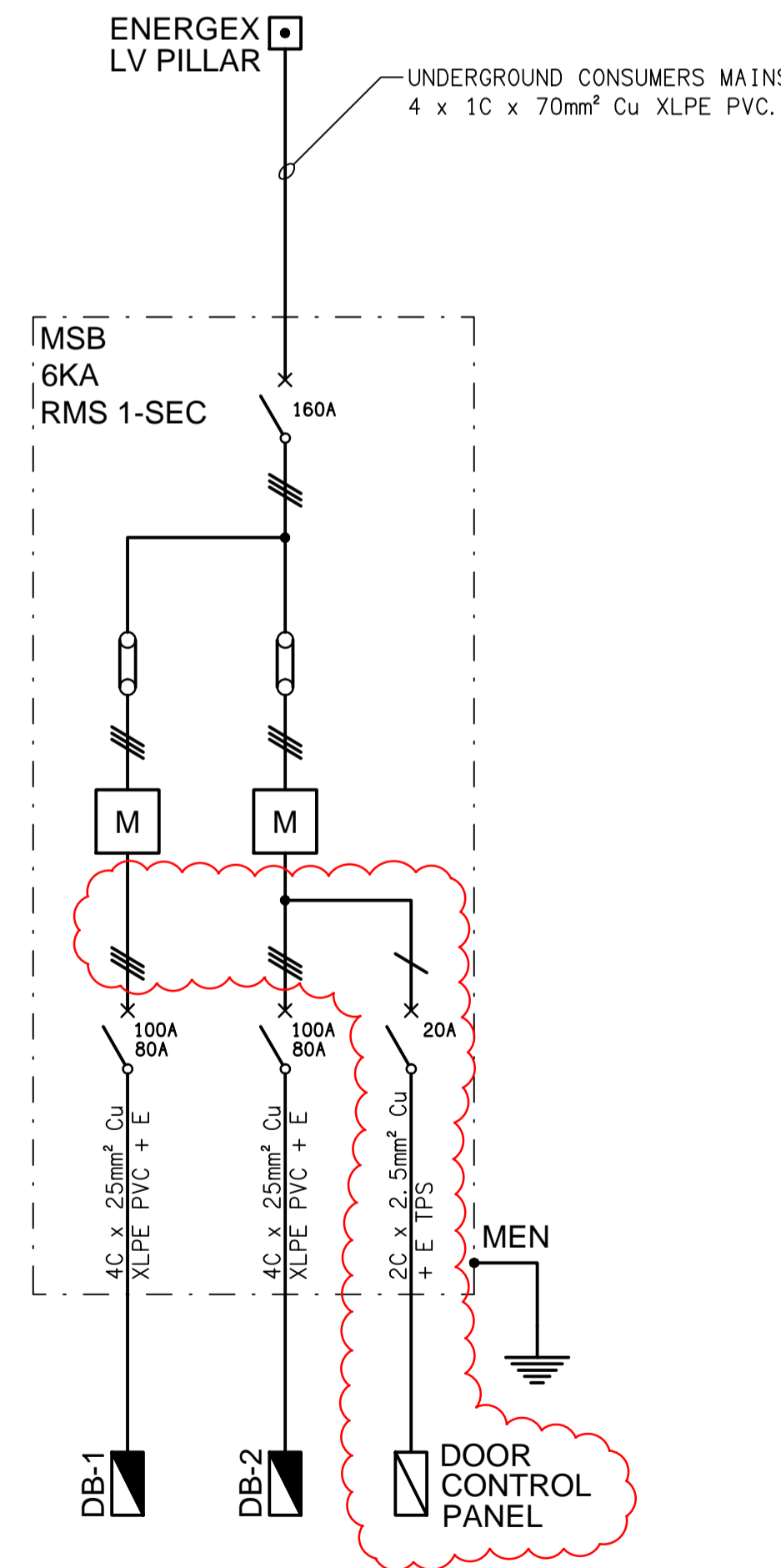


**SCHEMATIC**  
RJ45 PINOUT CONFIGURATION  
NOT TO SCALE



**SCHEMATIC**  
EMERGENCY LIGHTING  
NOT TO SCALE

- NOTES**
- THE EMERGENCY LIGHT UNSWITCHED ACTIVE / GENERAL LIGHTING SWITCHED ACTIVE CIRCUIT ARRANGEMENT AND CONTROL IS TYPICAL FOR ALL CIRCUITS SUPPLYING EMERGENCY LIGHTS.
  - PROVIDE ADDITIONAL CONTROL RELAYS (CRx) CONFIGURED AS PER CRa AND CRb FOR ALL ADDITIONAL LIGHTING CIRCUITS THAT SUPPLY LIGHTS IN THE VICINITY OF THE EMERGENCY LIGHTS.



**SCHEMATIC**  
POWER CONFIGURATION  
NOT TO SCALE

ELECTRICAL DESIGN GROUP BRISBANE  
PTY LTD  
ACN 092 710 793  
TRADING AS:  
ELECTRICAL DESIGN GROUP

THE COPYRIGHT OF THIS DRAWING  
REMAINS THE PROPERTY OF THE  
ELECTRICAL DESIGN GROUP.  
USE FIGURED DIMENSIONS  
IN PREFERENCE TO SCALE.  
ALL DIMENSIONS TO BE  
VERIFIED ONSITE.

**ELECTRICAL DESIGN GROUP**  
ELECTRICAL BUILDING SERVICES CONSULTANTS  
BRISBANE GOLD COAST

P.O. Box 15, Sherwood Q. 4075  
Phone: (07) 3278 4375  
Email: brisbane@edg.net.au  
Web: www.edg.net.au

PROJECT:  
BURNSIDE ROAD, GILBERTON

LOT 4 BURNSIDE ROAD, GILBERTON, QUEENSLAND

C	CONSTRUCTION	17/04/2024
REV.	DESCRIPTION:	DATE:

DRAWING:  
**ELECTRICAL SERVICES**  
SCHEMATICS & DETAILS

SCALE:  
NOT TO SCALE AT A1

PROJECT NO:  
**C2964a**

DRAWING NO:  
**E02**

REVISION:  
**C**